



Mahr |

MarCator 1086 and 1087 Digital Indicators



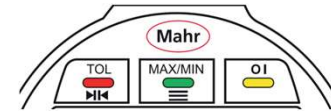
Dig. Indicators MarCator 1086 R(i) 1087 R(i) 1087 BR(i)

1086 R	1087 Ri	1086 WRi	1087BRi
Static measurement	Static + Dynamic measurement	IP64 protected	Indicating measurement

A total of 35 indicators with touch screen



Dig. Indicators MarCator 1086 R(i) 1087 R(i) 1087 BR(i)



Outstanding new features

Touch control



1086 R(i)

Tempered glass fronts



USB and Integrated Wireless for unique connectivity and remote control capability

- R with cable interface
- Ri additionally with Integrated Wireless



1087 R(i)

Large display with outstandingly easy-to-understand user interface

LED Signals

Convenient tolerance indication using symbols in the display and colored LEDs for measured value classification



1087 BR(i)

Better, clearer, simpler

Intuitive measurement sequence for dynamic reversal point search START-STOP

Infotainment

Easy-to-read display information for clear operation and a transparent overview



Dig. Indicators MarCator 1086 R(i) 1087 R(i) 1087 BR(i)

Outstanding new features

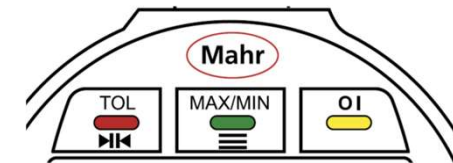
Touch Control



Tempered glass fronts



LED Signals
for measured value
classification



Product Launch 2025

Mahr

Dig. Indicators MarCator 1086 R(i) 1087 R(i) 1087 BR(i)

Outstanding new features

Data transmission



Types Ri Integrated Wireless and cable interface



Types R with cable interface



Dig. Indicators MarCator 1086 R(i) 1087 R(i) 1087 BR(i)

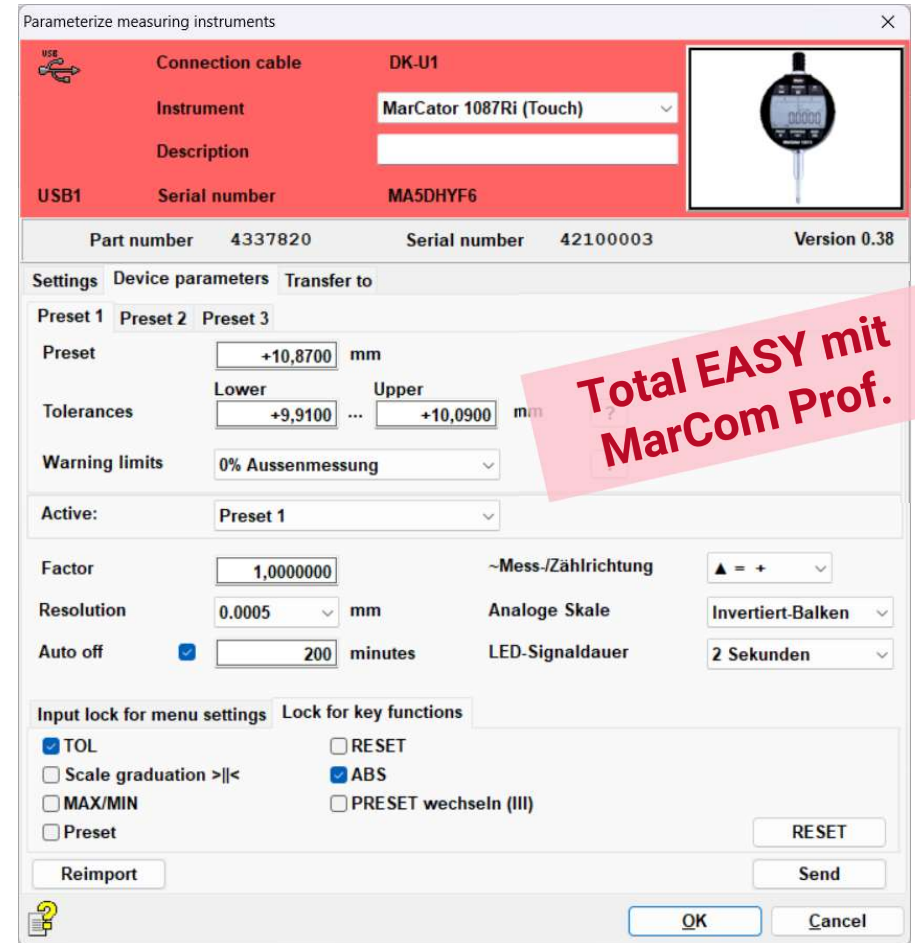
Outstanding new features

- Unique connectivity and remote control capability
- Bidirectional data transfer via USB and Integrated Wireless

Measured value transmission



Setting the device parameters, button and menu locks



Total EASY mit MarCom Prof.

Dig. Indicators MarCator 1086 R(i) 1087 R(i) 1087 BR(i)

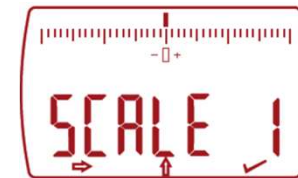
Outstanding new features

- High-contrast LCD
- Clear descriptions
- Rotatable display

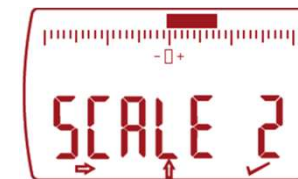


2 analog scale displays

- Adjustable in the menu



Moving pointer



Moving bargraph

NEU

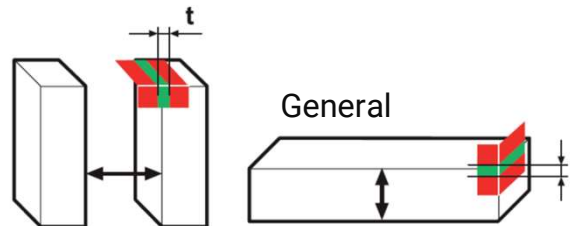
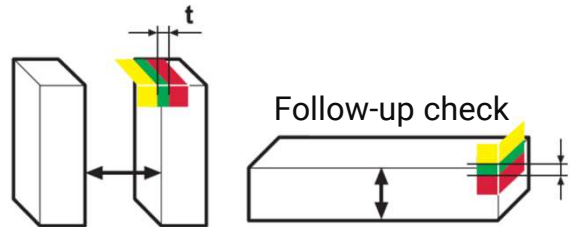
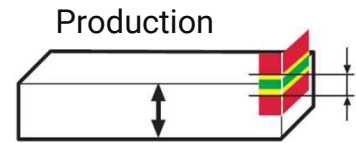
Dig. Indicators MarCator 1086 R(i) 1087 R(i) 1087 BR(i)

Outstanding new features



Colored LED Display

- a. Go / No Go / Warning Limit
- b. Go / No Go / Rework
- c. Go / No Go



Additional in analog scale



Additional symbols

Dig. Indicators MarCator 1086 R(i) 1087 R(i) 1087 BR(i)

Outstanding new features

Tolerances clearly recognize!



Colored LED flash duration adjustable

In Battery operation
1 sec. / 2 sec. / 3 sec.



With USB-data cable DK-U1



- External power supply
- Permanent LED lighting



Dig. Indicators MarCator 1086 R(i) 1087 R(i) 1087 BR(i)

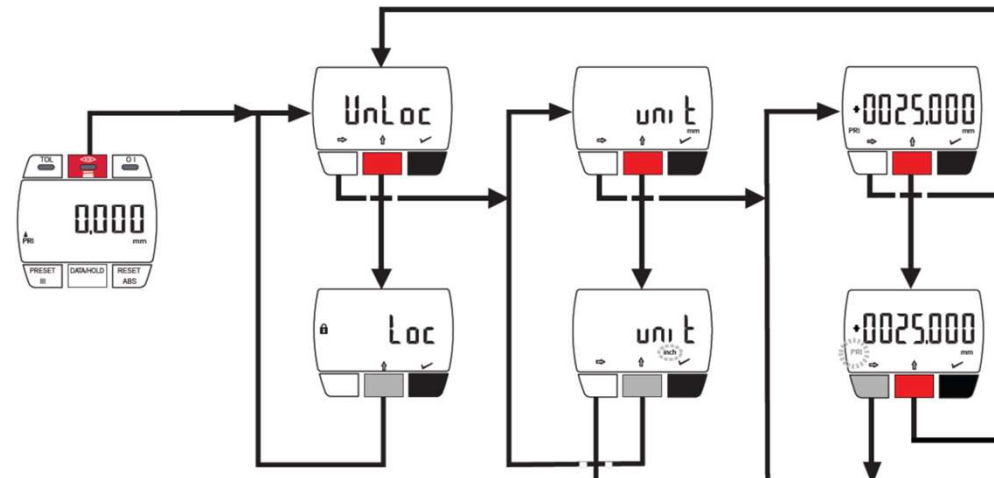
Outstanding new features



Proven and **consistent operating concept**

- Same operating concept as Millimess 2001 W(i) and Micromar 844 EWR(i)
- 6 Touch control buttons
- Direct measurement functions
- Individual menu settings

Intuitively adjustable
Clearly designed
Easy to use



Dig. Indicators MarCator 1086 R(i) 1087 R(i) 1087 BR(i)

Outstanding new features

Explaining display messages

Error message after incorrect tolerance entry

Error / Hi Lo: Upper limit \leq lower limit

Error / t-SPAN: Max. tolerance range extended



Battery message

Bat lo / No bat

NEW START after battery change and FA set

Hello / Type name / Firmware





Dig. Indicators MarCator 1087 BR(i)

For dynamic comparison measurements

Features:

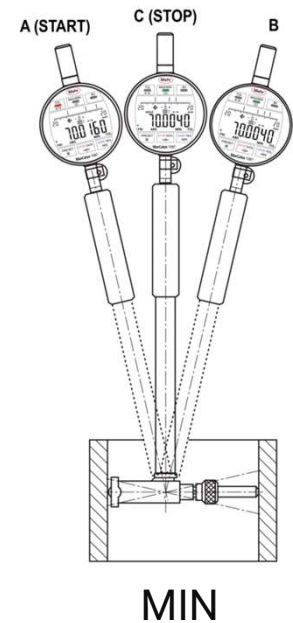
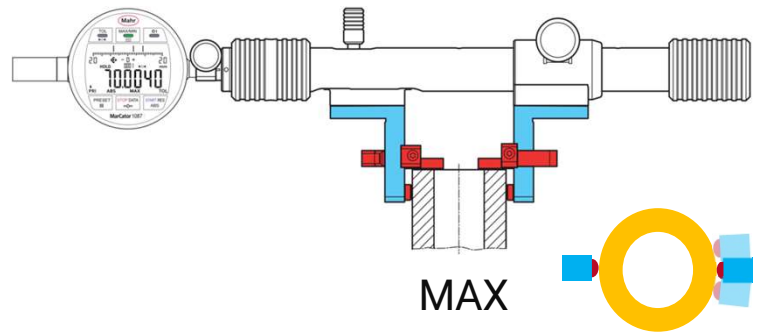
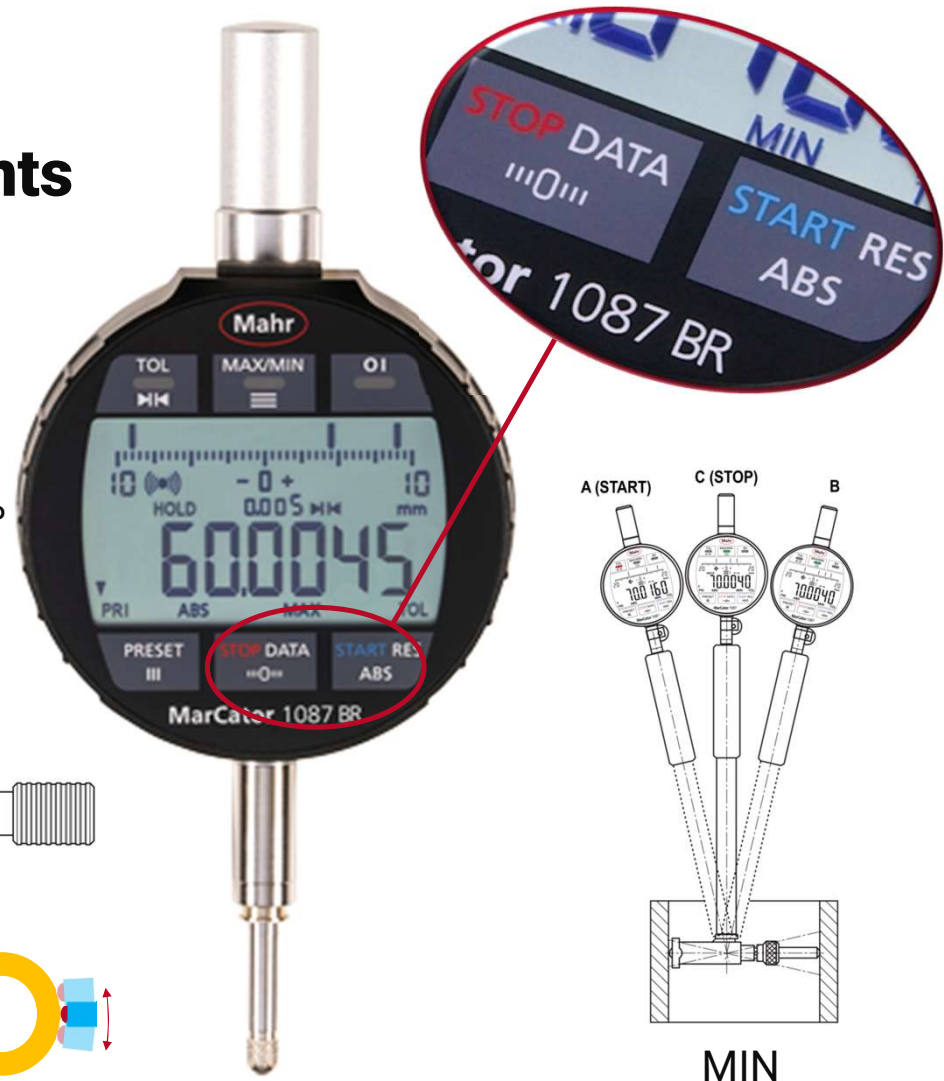
- Assignment of a PRESET to a dynamically determined reversal point
- High update rate (64 values/sec) for precise measurement movements

Better, clearer, simpler

Intuitive measuring sequence for dynamic reversal point search START-STOP

Infotainment

Easy-to-read user guidance for beginning of dynamic measurement



Product Launch 2025

Mahr

Dig. Indicators MarCator 1087 BR(i)

Instruction video available online



<https://metrology.mahr.com>